

EIKI

EK-450U

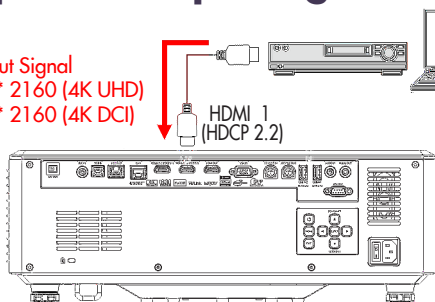
WUXGA Middle Class 1 chip DLP Laser Projector



Totally New Laser Projector Supporting 4K Input signal

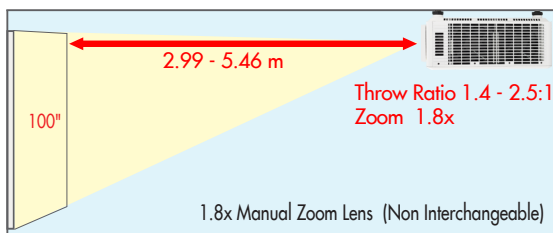
Support 4K Input Signal via HDMI Ver. 2.0

4K Input Signal
3840 * 2160 (4K UHD)
4096 * 2160 (4K DCI)



One HDMI input terminal which supports HDMI Ver 2.0 and HDCP 2.2 supports 4K input signal of both 3840 * 2160 (4K UHD) and 4096 * 2160 (4K DCI) .

Flexible Installation



Quiet and IP5X High Dust-Proof Design

As for quiet design, it achieves 26dB in Eco mode and 28dB in Constant Power mode which is quieter than whisper voice of a person. This makes it suitable for the places where the silence preferred. Its IP5X level of dust-proof protection and filter-less design provides maintenance-free operation with high reliability.



Recommended Application & Place of Installations



- Conference Rooms / Boardrooms
- Classrooms / Lecture Rooms
- Museums / Galleries
- Simulation / Training
- Sports Bar
- Halls / Theatres
- Houses of Worship

6,600 Lumens*

WUXGA (1920 x 1200)

EK-450U is the first laser projector which supports 4K input signal in EIKI's Middle Class Projector Product Line.

It offers reliable and maintenance-free operation with IP5X certified optical engine and 20,000 hours of laser light source life.

In addition, 1.8x Optical zoom lens, Keystone correction, Vertical and Horizontal Motorized lens shift, 360-degree both Vertical and Horizontal installation capabilities enable you to install at various places depending on usages and demands.

Key Features

- Support 4 K Image with HDMI
- 20,000 hours Light Source Life
- Flexible installation
 - 1.8x Manual Zoom Lens
 - 360-degree free orientation (vertically and horizontally) projection capabilities
 - Portrait Projection
 - Lens Shift (Motorized)
V: +/- 55%, H: +/- 25%
 - Keystone Correction
V: +/- 30°, H: +/- 30°, 4-Corner
- Quiet Operation
- Digital Input
HDBaseT x 1, HDMI x 2
- Sealed Optical Engine design
IP5X Dust Proof without filters
- Support Picture in Picture and Picture by Picture function
- Support 3D function



* Center Lumens

EK-450U

WUXGA Middle Class 1Chip DLP Laser Projector

Specifications

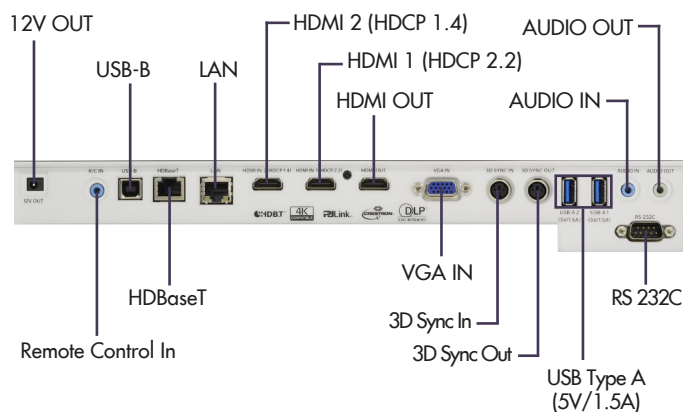
Model (EAN)	EK-450U (457119467 950 2)	
Display Type	0.67" 1chip DMD	
Resolution	WUXGA (1920 x 1200)	
Aspect Ratio	16:10	
Brightness	6,600 lm*	
Contrast Ratio	30,000:1	
Projection Light Source	Laser (Blue) + Phosphor	
Light Source Life	20,000 hours	
Image Diagonal	40" - 300"	
Lens (F Value / Focal length)	F = 2.0 - 2.95, f = 20.68 - 37.23 mm	
Zoom / Focus Adjustment	Manual	
Zoom Ratio	1.8 x Optical Zoom	
Throw Distance	1.17- 16.47 m	
Throw Ratio	1.4 - 2.5 : 1	
Lens Shift	V: +/-55%, H: +/-25% (Motorized)	
Keystone Correction	V: +/-30 degrees, H: +/-30 degrees 4-Corner	
Projection Elevation Adjustment	Up to 2.5 degrees	
Scanning Frequency	H Sync: 15, 38 - 91.15 kHz V Sync: 24 - 85 Hz	
Dot Clock	154 MHz	
Input Signals - Computer	WUXGA (1920 x 1200) - VGA (640 x 480)	
Input Signals - Video	1080 i/p, 720p, 576i/p, 480i/p	
Terminal	HDBaseT In	RJ45 x 1
	HDMI In	HDMI x 1 (Ver 2.0), HDMI x 1 (Ver 1.4a)
	VGA In	D-Sub 15 x 1
	Monitor Out (HDMI Out)	HDMI (Ver 1.4a) x 1
	Audio In	3.5mm Mini Jack x 1
	Audio Out	3.5mm Mini Jack x 1
	USB	USB Type A x 2 (Multimedia USB Stick/Service) USB Type B x 1 (Service)
	LAN	RJ45 x 1
	RS-232C	D-sub 9 x 1
	3D Sync In	MINI DIN 3 pin x 1
	3D Sync Out	MINI DIN 3 pin x 1
	Remote Control In	3.5mm Mini Jack x 1
12V Trigger Out	3.5mm Mini Jack x 1	
Built-in Speaker	10W x 2	
Fan Noise (Eco/Constant Power)	26 dB / 28 dB	
Dimensions (W x H x D)	486 x 139 x 376 mm (w/o elevator feet)	
Weight	12.7 kg	
Power Requirements	AC 90 - 264 V, 50/60 Hz	
Power Consumption (Eco / Constant Power)	260 W / 460 W	
Thermal Dissipation	1695 BTU	
Standard Accessories	AC Power Cord x 2 (U.S.A. & Euro), VGA cable x 1, Remote Control (with AAA batteries x 2), Quick Start Guide, Safety Guide	

* Center Lumens

Dimensions



Terminals



EIKI INDUSTRIAL CO., LTD.

6-23 Teramoto, Itami-Shi, Hyogo, Japan
Tel: +81-72-782-7552 • Web: global.eiki.com

Specifications subject to change without notice.
The DLP® and DLP logo is a registered trademark of Texas Instruments.
Crestron® and Crestron RoomView® are registered trademarks of Crestron Electronics, Inc.
All other trademarks are the property of their respective trademark owners.
©2019 EIKI Industrial Co., Ltd.